



AS-100 (HeatPLUS-T)

煤氣熱注節能型
揭門式洗碗碟機 (熱回收)

Gas Heated Energy Saving
Door Type Dishwasher (Heat Recovery)

AS-100 (HeatPLUS-T)

煤氣熱注節能型揭門式洗碗碟機 (熱回收)

Gas Heated Energy Saving Door Type Dishwasher (Heat Recovery)

卓匯洗碗碟機特色

CHAMPION Dishwasher with Excellent Characteristics



環保節能

ENVIRONMENTAL
ENERGY SAVING

環保節能設計，既可節省能源，又可達致最高經濟效益。

Our green-design reduces energy consumption which brings you the highest economic efficiency.



穩定耐用

STABLE AND DURABLE

全機採用SUS 304 1.5mm不鏽鋼結構及機械式控制設計，於高溫及潮濕的環境中亦應能發揮其耐用性及穩定性。

The construction adopt SUS 304 1.5mm stainless steel and mechanical control. Durability and stability can be maintained even in high temperature and moisture environment.



高效運作

HIGH EFFICIENCY

高速設計及強勁水力輸出，提升洗滌效率，減省人手。

High speed design and strong washing power, enhance the washing efficiency and manpower saving.



國際認可

INTERNATIONAL
RECOGNITION

CHAMPION洗碗碟機全系列獲國際認可，符合國際食品安全及衛生標準；認可設備於材料、易潔度、溫度、時間、水壓、運作設計等、各方面均達到國際標準。

CHAMPION Dishwasher complied with the international standard of food safety and hygiene, approved by HACCP which achieved the standard of material used, washable, temperature, time, water pressure and operation, hygiene and safety image enhanced.



國際廠房

INTERNATIONAL
MANUFACTORY

首家港資公司創立國際性廠房，全線洗碗碟機在嚴密的工序及監控下生產；從技術研發，原材料選材，流程設計，質量管理及控制都一絲不苟。

The first international dishwashers' manufactory financed and managed by Hong Kong Company. The full series of dishwashers are manufactured under rigorous procedures and inspection, from research and development, materials selection, procedure design, to quality control.



簡單易用

SIMPLE TO USE

採用簡易操作系統，一按式啟動及自動化操作，任何用家操作自如。

Adopt user friendly operation system. "One-Button" activation and automatic operation are easy for any users to control.

信心保證 Quality Assurance

- 食品安全認證 HACCP International Food Safety Certificate 
- CSA認證  Certificate
- 歐盟認證  Certificate
- 質量管理認證 Quality Management System  ISO 9001:2018 Certificate
- 香港政府食物環境衛生署認可牌照 HKSAR Food and Environmental Hygiene Dept. Approved Certificate



卓越設計功能 AS-100 (HeatPLUS-T) Excellent Design



能源節省 Energy Saving

每小時能源消耗量 Energy Consumption per hour

配合即熱式煤氣熱水爐，減省能源費用幅度達68%。
Equipped with town gas water heater, reducing gas consumption to 68%.

快速啟動 Rapid Activate

配合即熱式煤氣熱水爐使用，初始啟動時間只需5.5分鐘。

With the use of town gas water heater, the activation time of AS-100 (HeatPLUS) requires only 5.5 minutes.



以上數據只作參考用途，節省率會受實際環境及操作所影響。
The above data is for reference purposes only. The saving is affected by actual environment and washing procedure.

以上數據以每節1升耗水量計算，並由香港中華煤氣有限公司提供。
The above data is based on rinse usage of 1L per rack, and the data are provided by The Hong Kong and China Gas Company Limited.



熱回收專利品牌
Patented Heat Recovery Brand

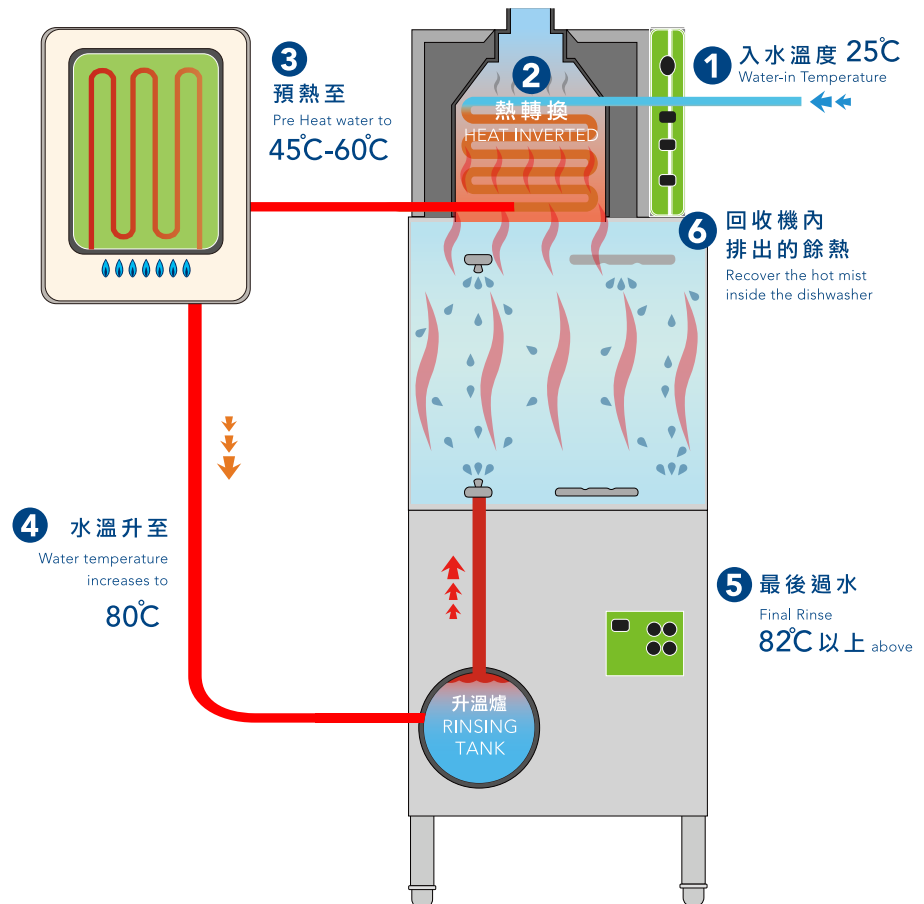
首個香港專利
熱回收系統

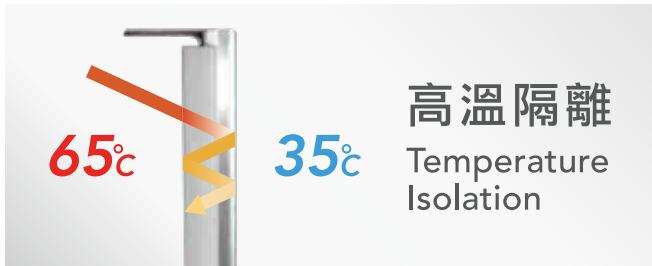
First Patented Heat
Recovery System in Hong Kong

技術專利編號 HK1214910
Technology Patent No.

以循環使用餘熱
達致能源節省

Saving energy by reusing the hot mist





- ◀ 雙層中空隔溫鋼門設計，能令洗碗碟機表面溫度由65°C降至35°C。減少熱能流失外，更能保障使用者安全。
Dual stainless steel door design is capable of reducing the surface temperature of dishwasher from 65°C to 35°C. Hence, it can reduce heat loss and even protect users safety.



- ◀ 全新保溫升溫爐設計，機身內外均配備3mm保溫棉覆蓋設計，提升5-10%保溫效能，從而達致節省能源。
Build in heat preservation energy saving booster with 3mm cotton insulation, it can enhance 5-10% insulation performance to conserve energy.

煤氣熱水爐 Town Gas Water Heater (BRJW350BFE)



外形尺寸 Size	350 闊(W) x 538 高(H) x 170深(D) 毫米(mm)
熱水輸出量 Hot Water Output (80°C)	5.5 公升(Liter) / 分鐘(min) (入水溫度25°C Incoming at 25°C)
用氣量 Gas Consumption	35 千瓦(kW)
供電要求 Power Supply	AC 220 伏特(V) / 50 赫茲(Hz) / 單相(1 Phase) 【13 安培(Amp)】
安裝模式 Installation	掛牆式 Wall Mounting

煤氣公司 工商業查詢熱線 Towngas C & I Enquiry Hotline : 2963 3300

應對氣候變化 Combat Climate Change

2015年，全球多國加入《巴黎協定》，將全球氣溫升幅限制於2°C以內，並進一步將氣溫升幅限制於1.5°C。香港環境局亦發表了《香港氣候藍圖2030+》，以降低碳強度65至75%為目標。CHAMPION為應對氣候變化帶來的挑戰，一直積極推動及響應可持續發展方案，研發嶄新節能技術，實踐減碳目標。

Hundreds of countries have joined Paris Agreement since 2015, aiming to substantially limit the global temperature increase to 2°C while pursuing means to limit the increase even further to 1.5°C. Hong Kong Environment Bureau also published "Hong Kong's Climate Action Plan 2030+", setting its carbon intensity reduction target to 65-70%. To overcome the challenges of climate change, CHAMPION has been actively adopted and advocated sustainable solutions, as well as developed revolutionary technologies to achieve the carbon reduction goal.

各行各業如何為氣候變化努力？餐飲業的水、電能源支出佔一定成本，選用節能式商用洗碗碟機可大幅節省能源消耗，從而降低成本，減少碳排放之餘，更可為地球和下一代生活環境作出貢獻。2020年，CHAMPION的節能式洗碗碟機已為餐飲業界節省6,000萬kwh，相等於400萬公斤碳排放。全新型號的節能式洗碗碟機節能效率更大幅提升，可想而知其減碳效能亦無出其右。

How to combat with climate change among industries? Water and Electricity charges take up certain cost in Food & Beverage industry. Using energy-saving business dishwashers significantly reduces the consumption of energy, which can lower the operation cost, reduce carbon emission and create a better environment for our future generations. In 2020, CHAMPION energy-saving dishwasher series have saved 60 million kwh for Food & Beverage Industry, which is equivalent to 4 million kg of carbon emission. The energy-saving efficiency of our brand new model has considerably increased —an outstanding reduction of carbon emission is beyond your imagination.

「節約能源」從不是紙上談兵，而要身體力行。CHAMPION誠邀您與我們展開減碳之旅，讓環保節能、成本控制及企業形象盡在掌握。

Energy-saving is never a slogan. CHAMPION cordially invites you to embark the journey of carbon emission reduction where environmental protection, cost effectiveness and corporate image are all yours.

AS-100 (HeatPLUS-T)

煤氣熱注節能型揭門式洗碗碟機 (熱回收)
Gas Heated Energy Saving Door Type Dishwasher (Heat Recovery)

技術規格 Technical Data

外形尺寸 Size	697 闊(W) x 699深(D) x 1802 高(H) 毫米(mm)
離牆尺寸 Clearance from the wall	100 毫米(mm)
開門高度 Door Opening Height	1900 毫米(mm)
時間選擇 Cycle Time	1-1.5mins
機器淨重 Net Weight	132 kg
膠籐尺寸 Rack Size	500(W) X 500 (D) mm
最大洗滌量 Machine Maximum Capacity	40 - 60 籐 Racks / 小時 Hour
最高洗滌高度 Loading Height	410 mm
水缸容量 Tank Capacity	24 L
每籐耗水量 Rinse Usage	1 L / 籐(Rack)
建議流動水壓 Suggested Dynamic Water Pressure	1 Bar
主洗水缸加熱功率 Wash Tank Heater	3 kW
主洗水泵功率 Wash Pump Power	0.9 kW
內置電熱水爐功率 Rinsing Tank Power	2 kW
總耗電功率 Electrical Loading	5.9 kW (9 Amp)
供電要求 Power Supply	380 V / 50 Hz / 3 / N / PE (10 Amp)

上述資料只供參考，如有更新改進，恕不另行通知。

Above data is for information purposes only. Specifications subject to change without prior notice.

運作圖 Operation Diagram

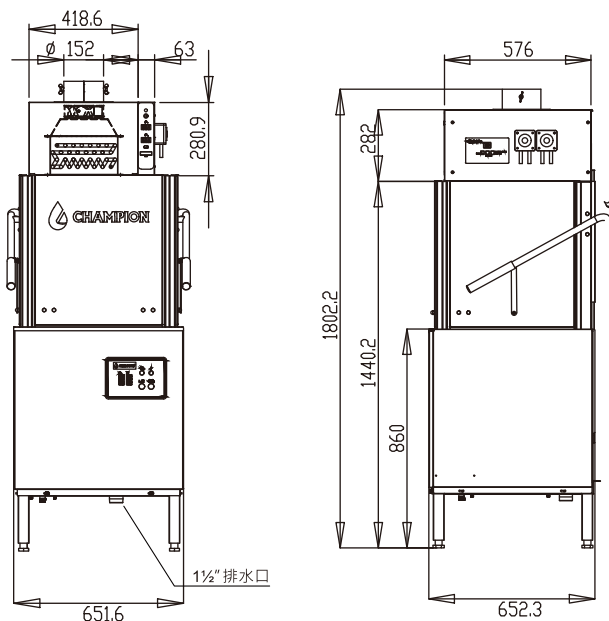


標準式運作圖
Standard Type Operation



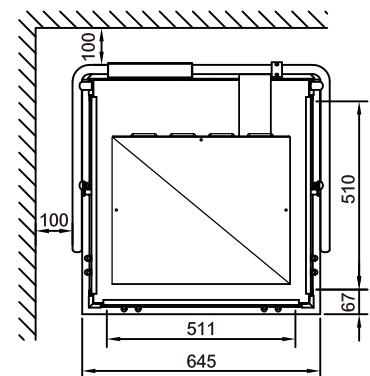
牆角式運作圖
Corner Type Operation

透視圖 Perspective

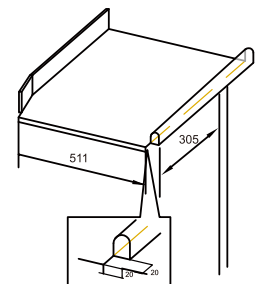


安裝要求，客戶必須配置：

- (1) 電源：380V/50Hz/3/N/PE，電源線為 3-5mm² 及 16Amp 防水隔離開關
- (2) 供水：管徑 3/4"，球閥 3/4"，3/4" 外牙絲，建議水壓 15-25psi
- (3) 排水口為：排水口直徑 1 1/2"



碗盤台與洗碗機接口立體視圖



說明：

- (1) 括號內尺寸為 800mm (工作檯標準高度) 機器；
- (2) 本機器可將直行式改為轉彎式安裝 (圖所示)。
- (3) 掛枱需注意預留最少 305mm 空間作日常營運需要 (如圖示)

原廠一站式服務 Manufacturer One-Stop Services

我創造 · 我重視
We Make · We Care

從設計流程開始，直至售後支援服務，卓滙都細心關顧客戶所需。
We care about our customers and take care of anything starting from design, after-sale and maintenance services.



售後服務才是我們的開始 Post-sales Service is where our Business start.



專業顧問團隊
Professional Consulting Team



衛生諮詢培訓
Hygiene Consultation & Training



安心檢查維護
Secure Maintenance Service



流動工程車隊
Engineering Motorcade



充裕零件供應
Sufficient Spare Parts Supply

卓滙集團
Champion Group

香港
Hong Kong

☎ (852) 2475 9875
✉ enquiry_hk@champion-chem.com

中國
China

☎ (86) 0755 2821 8882
✉ enquiry_ch@champion-chem.com

澳門
Macau

☎ (853) 2823 0511
✉ enquiry_mc@champion-chem.com

台灣
Taiwan

☎ (886) 2 2643 6111
✉ enquiry_tw@champion-chem.com



AS-100 (HeatPLUS)

節能型揭門式洗碗碟機(熱回收)
Energy Saving Door Type Dishwasher
(Heat Recovery)

AS-100 (HeatPLUS)

節能型揭門式洗碗碟機(熱回收)

Energy Saving Door Type Dishwasher (Heat Recovery)

卓滙洗碗碟機特色

CHAMPION Dishwasher with Excellent Characteristics



突破性節能設計

BREAKTHROUGH OF
ENERGY SAVING DESIGN

比較傳統機型節省高達70%的能源，同時達到衛生標準。

Achieve over 70% electricity consumption saving compare with traditional models and achieve the hygiene standard at the same time.



穩定耐用

STABLE AND DURABLE

全機採用SUS 304 1.5mm不鏽鋼結構及機械式控制設計，於高溫及潮濕的環境中亦應能發揮其耐用性及穩定性。

The construction adopt SUS 304 1.5mm stainless steel and mechanical control. Durability and stability can be maintained even in high temperature and moisture environment.



高效運作

HIGH EFFICIENCY

高速設計及強勁水力輸出，提升洗滌效率，減省人手。

High speed design and strong washing power, enhance the washing efficiency and manpower saving.



國際認可

INTERNATIONAL
RECOGNITION

CHAMPION洗碗碟機全系列獲國際認可，符合國際食品安全及衛生標準；認可設備於材料、易潔度、溫度、時間、水壓、運作設計等、各方面均達到國際標準。

CHAMPION Dishwasher complied with the international standard of food safety and hygiene, approved by HACCP which achieved the standard of material used, washable, temperature, time, water pressure and operation, hygiene and safety image enhanced.



國際廠房

INTERNATIONAL
MANUFACTORY

首家港資公司創立國際性廠房，全線洗碗碟機在嚴密的工序及監控下生產；從技術研發，原材料選材，流程設計，質量管理及控制都一絲不苟。

The first international dishwashers' manufactory financed and managed by Hong Kong Company. The full series of dishwashers are manufactured under rigorous procedures and inspection, from research and development, materials selection, procedure design, to quality control.



簡單易用

SIMPLE TO USE

採用簡易操作系統，一按式啟動及自動化操作，任何用家操作自如。

Adopt user friendly operation system. "One-Button" activation and automatic operation are easy for any users to control.

信心保證 Quality Assurance

- 食品安全認證 HACCP International Food Safety Certificate 
- CSA認證  Certificate
- 歐盟認證  Certificate
- 質量管理認證 Quality Management System  ISO 9001:2018 Certificate
- 香港政府食物環境衛生署認可牌照 HKSAR Food and Environmental Hygiene Dept. Approved Certificate



卓越設計功能 AS-100 (HeatPLUS) Excellent Design

電源節省 Electricity saving



每小時用電量 Electricity Consumption per hour

普遍機型 General Model	9 kWh
AS-100	4.2 kWh
AS-100 (HeatPlus)	2.7 kWh

每日運作
Daily Operation Time 8小時 (hour)

賺取高達
Possible Earn \$3,000 / 月
Month

供電需求減少 Power Supply Requirement Reduction

傳統機型
General Model 30 Amp

AS-100 (HeatPLUS) 15 Amp



以上數據只作參考用途，節省率會受實際環境及操作所影響。
The above data is for reference purposes only. The saving is affected by actual environment and washing procedure.

以上資料根據香港生產力促進局驗證 (項目編號 01044)。
The above information is based on the testing result of Hong Kong Productivity Council (Project Number 01044).



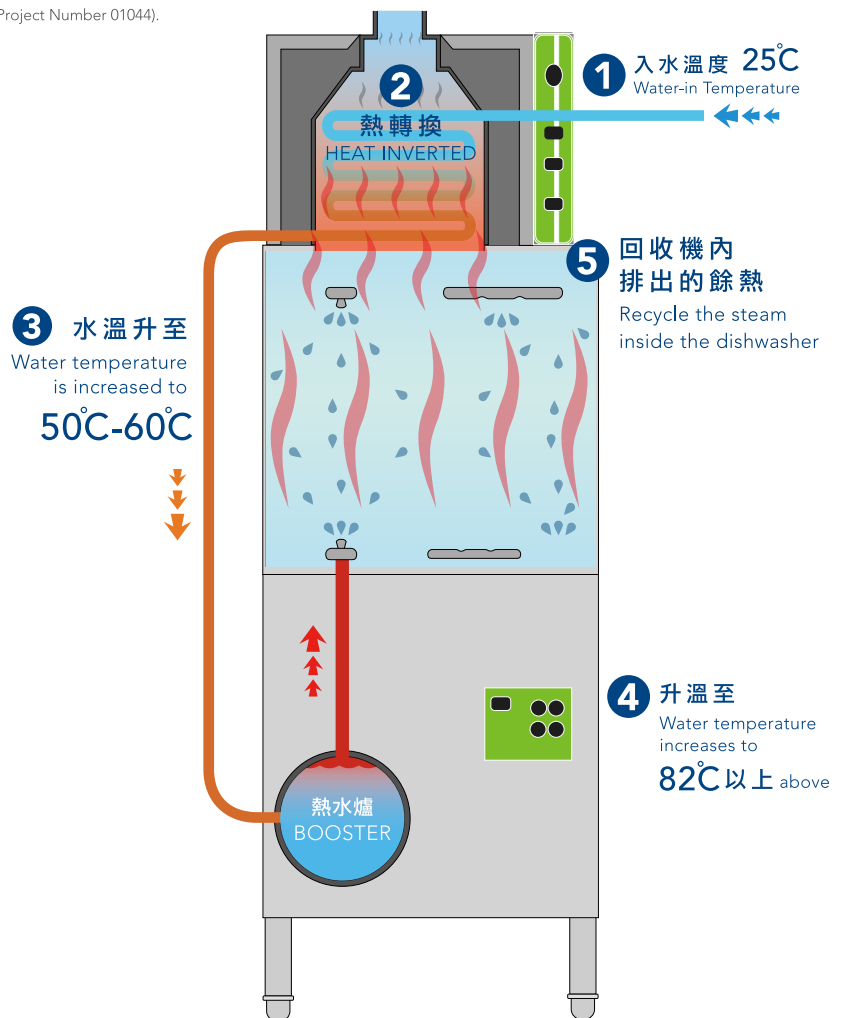
熱回收專利品牌
Patented Heat Recovery Brand

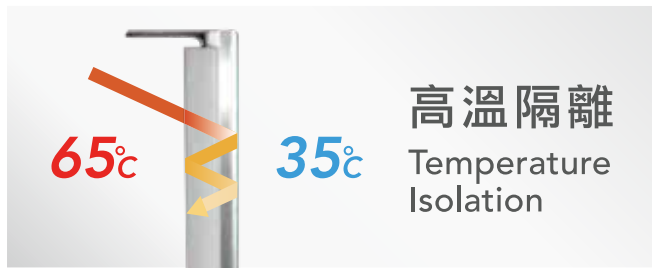
首個香港專利
熱回收系統

First Patented Heat
Recovery System in Hong Kong

技術專利編號
Technology Patent No. **HK1214910**

以循環使用餘熱
達至能源節省
Saving energy by reusing the steam





- ◀ 雙層中空隔溫鋼門設計，能令洗碗碟機表面溫度由65°C降至35°C。減少熱能流失外，更能保障使用者安全。
Dual stainless steel door design is capable of reducing the surface temperature of dishwasher from 65°C to 35°C. Hence, it can reduce heat loss and even protect users safety.



- ◀ 全新保溫節能熱水爐設計，及機身內外均配備3mm 保溫棉覆蓋設計，提升5-10%保溫效能，從而達致節省能源。
Build in heat preservation energy saving booster with 3mm cotton insulation, it can enhance 5-10% insulation performance to conserve energy.



- ◀ 內置分配器，毋須佔有額外空間，並配置輕觸式控制面板，操作簡易方便。
Built-in dispensers require no extra space with user-friendly touch control panel.

應對氣候變化 Combat Climate Change

2015年，全球多國加入《巴黎協定》，將全球氣溫升幅限制於2°C以內，並進一步將氣溫升幅限制於1.5°C。香港環境局亦發表了《香港氣候藍圖2030+》，以降低碳強度65至75%為目標。CHAMPION為應對氣候變化帶來的挑戰，一直積極推動及響應可持續發展方案，研發嶄新節能技術，實踐減碳目標。

Hundreds of countries have joined Paris Agreement since 2015, aiming to substantially limit the global temperature increase to 2°C while pursuing means to limit the increase even further to 1.5°C. Hong Kong Environment Bureau also published "Hong Kong's Climate Action Plan 2030+", setting its carbon intensity reduction target to 65-70%. To overcome the challenges of climate change, CHAMPION has been actively adopted and advocated sustainable solutions, as well as developed revolutionary technologies to achieve the carbon reduction goal.

各行各業如何為氣候變化努力？餐飲業的水、電能源支出佔一定成本，選用節能式商用洗碗碟機可大幅節省能源消耗，從而降低成本，減少碳排放之餘，更可為地球和下一代生活環境作出貢獻。2020年，CHAMPION的節能式洗碗碟機已為餐飲業界節省6,000萬kwh，相等於400萬公斤碳排放。全新型號的節能式洗碗碟機節能效率更大幅提升，可想而知其減碳效能亦無出其右。

How to combat with climate change among industries? Water and Electricity charges take up certain cost in food & beverage industry. Using energy-saving business dishwashers significantly reduces the consumption of energy, which can lower the operation cost, reduce carbon emission and create a better environment for our future generations. In 2020, CHAMPION energy-saving dishwasher series have saved 60 million kwh for Food & Beverage Industry, which is equivalent to 4 million kg of carbon emission. The energy-saving efficiency of our brand new model has considerably increased—an outstanding reduction of carbon emission is beyond your imagination.

「節約能源」從不是紙上談兵，而要身體力行。CHAMPION誠邀您與我們展開減碳之旅，讓環保節能、成本控制及企業形象盡在掌握。

Energy-saving is never a slogan. CHAMPION cordially invites you to embark the journey of carbon emission reduction where environmental protection, cost effectiveness and corporate image are all yours.

AS-100 (HeatPLUS)

節能型揭門式洗碗碟機(熱回收)
Door Type Dishwasher (Heat Recovery)

透視圖
Perspective

技術規格 Technical Data

外形尺寸 Size	697 (W) x 699 (D) x 1802 (H) mm
離牆尺寸 Clearance From Wall	100 mm
開門高度 Door Opening Height	1900 mm
時間選擇 Cycle Time	1-1.5 Mins
機器淨重 Net Weight	132 kg
膠篩尺寸 Rack Size	500 (W) x 500 (D) mm
最大洗滌量 Machine Maximum Capacity	40-60 篩 Racks / 小時 Hour
最高洗滌高度 Loading Height	410 mm
水缸容量 Tank Capacity	24 L
每篩耗水量/耗水量 Rinse Usage	1L / 篩 Rack
建議流動水壓 Suggested Dynamic Water Pressure	1 Bar
主洗水缸加熱功率 Wash Tank Heater	3 kW
主洗水泵功率 Wash Pump Power	0.9 kW
內置電熱水爐功率 Internal Booster Heater	5 kW
總耗電功率 Electrical Loading	9 kW (13.7 Amp)
供電要求 Power Supply	380 V / 50 Hz / 3 / N / PE (15 Amp)

上述資料只供參考，如有更新改進，恕不另行通知。
Above data is for information purposes only. Specifications subject to change without prior notice.

運作圖 Operation Diagram

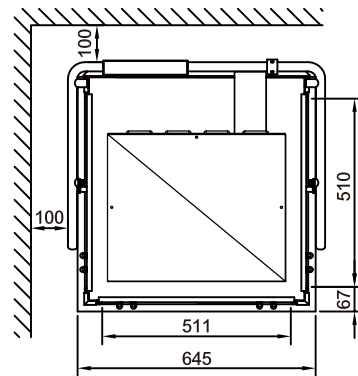
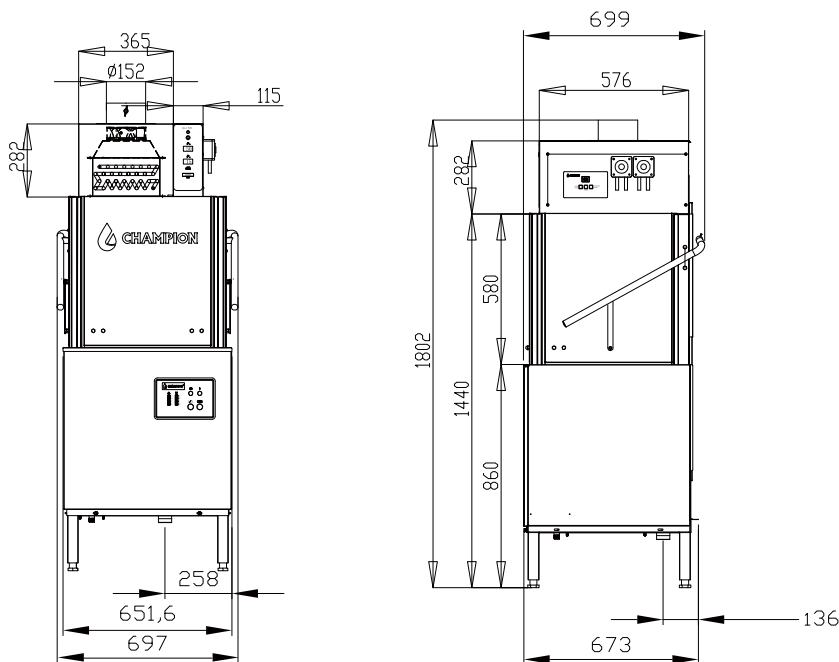


標準式運作圖
Standard Type Operation

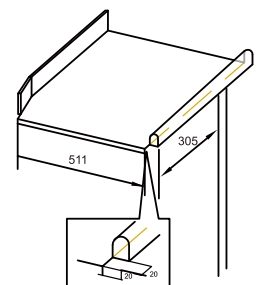


牆角式運作圖
Corner Type Operation

透視圖 Perspective



碗盤台與洗碗機接口立體視圖



安裝要求，客戶必須配置：

- (1) 電源：380V/50Hz/3/N/PE，電源線為 3-5mm² 及 15 Amp 防水隔離開關
- (2) 供水：管徑 3/4"，球閥 3/4"，3/4" 外牙絲，建議水壓 1 Bar
- (3) 排水口為：排水口直徑 1 1/2"

說明：

- (1) 括號內尺寸為 800mm (工作檯標準高度) 機器；
- (2) 本機器可將直行式改為轉彎式安裝 (如圖示)。
- (3) 掛枱需注意預留最小 305mm 空間作日常營運需要 (如圖示)

原廠一站式服務 Manufacturer One-Stop Services

我創造 · 我重視
We Make · We Care

從設計流程開始，直至售後支援服務，卓滙都細心關顧客戶所需。
We care about our customers and take care of anything starting from design, after-sale and maintenance services.



售後服務才是我們的開始 Post-sales Service is where our Business start.



專業顧問團隊
Professional Consulting Team



衛生諮詢培訓
Hygiene Consultation & Training



安心檢查維護
Secure Maintenance Service



流動工程車隊
Engineering Motorcade



充裕零件供應
Sufficient Spare Parts Supply

卓滙集團
Champion Group

香港
Hong Kong

☎ (852) 2475 9875
✉ enquiry_hk@champion-chem.com

中國
China

☎ (86) 0755 2821 8882
✉ enquiry_ch@champion-chem.com

澳門
Macau

☎ (853) 2823 0511
✉ enquiry_mc@champion-chem.com

台灣
Taiwan

☎ (886) 2 2643 6111
✉ enquiry_tw@champion-chem.com